

ABOUT AORE LASER



Shandong Aore Laser Technology Group Co., Ltd. is a high-tech enterprise specializing in the research, development, production, sales, and service of laser application equipment. Its products and services are available in over 180 countries and regions, with main product categories including sheet metal laser cutting machines, tube laser cutting machines, sheet and tube integrated laser cutting machines, 3D laser cutting machines, and laser welding machines.

The company's production base covers an area of 165,000 square meters, with an intelligent equipment manufacturing center of 110,000 square meters and an intelligent office building of 17,000 square meters. It has over 1,000 employees, including a core R&D team of over 120 members and a customer service team of over 200 members who can provide 24-hour online and offline technical support in 12 languages.

Aore Laser adheres to the principles of integrity and innovation, focusing on the laser manufacturing field with the development philosophy of "innovation excellence, win-win cooperation." It aims to become a global expert in intelligent laser applications and provide one-stop laser application solutions for global infrastructure equipment upgrades.

165000m²

Manufactory

1000+

Employees

120+

R&D Team
Members

200+

After-sales Service
Members



GLOBAL ENTERPRISE



Our products are sold in more than **180** countries and regions worldwide, and we have established agency offices and service centers in over **30** countries and regions globally.

CORE FUNCTIONS

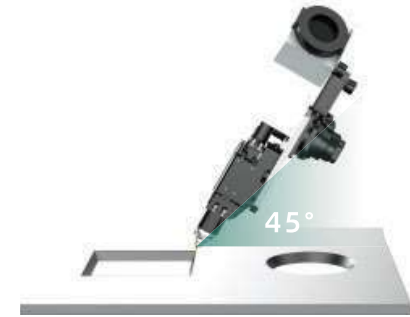
BEVEL CUTTING TECHNOLOGY



Equipped with intelligent bevel cutting head, capable of $\pm 45^\circ$ bevel cutting,
Can process Y, V, X, K and other types of bevels.

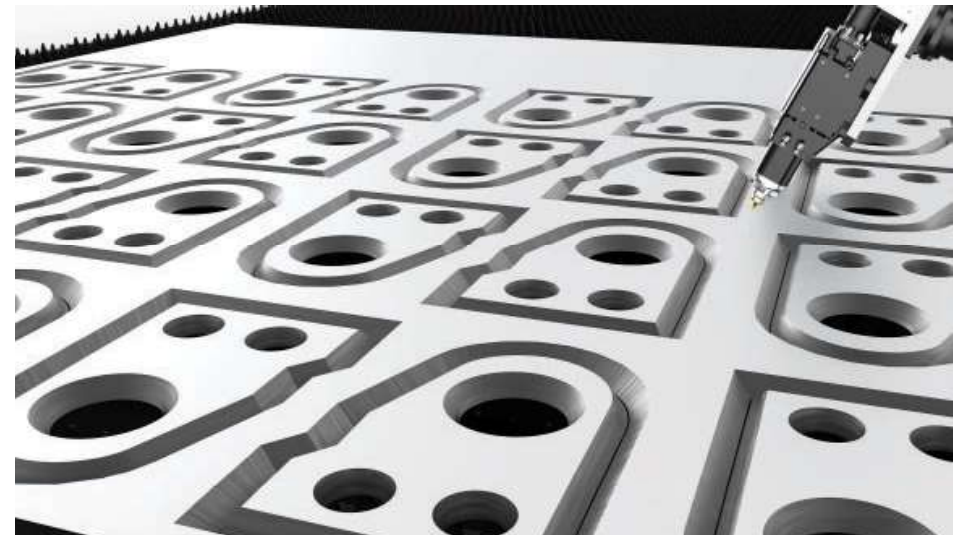


One-time forming of the bevels, reduces the
polishing process, improves processing
efficiency, and saves labor costs.



Bevel cutting workpiece surface is flat, zero gap
in splicing, reducing welding difficulty.

Can achieve continuous batch high-precision processing, stable workpiece quality.



CORE FUNCTIONS

AORE CONTROL SYSTEM



Through torque protection, flexible speed change, corner impact prevention and other bus system controls, greatly improving equipment cutting performance and stability.



Can achieve highly intelligent and flexible cutting.

Can significantly improve equipment cutting performance and stability.

Various process database, achieving high-precision and high-quality processing.



CORE FUNCTIONS

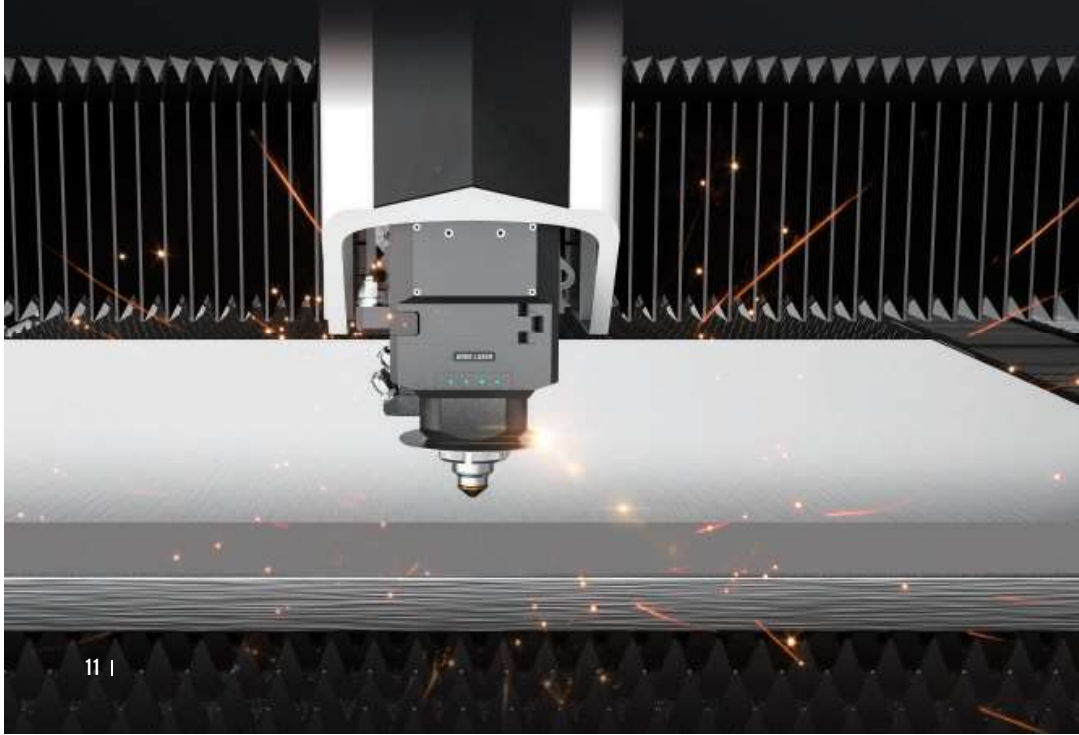
THICK PLATE CUTTING PROCESS



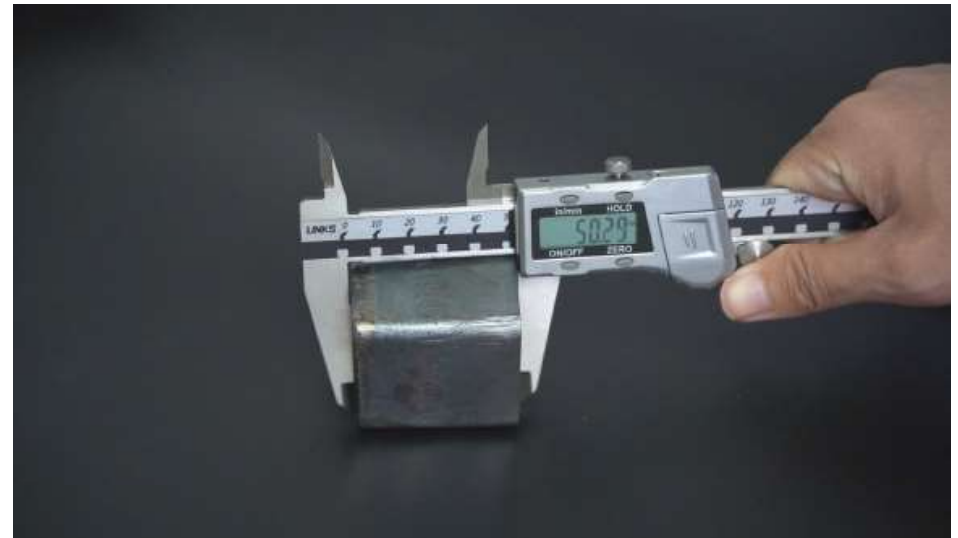
For thick plate cutting conditions, developed real-time correction of temperature drift capacitor, thick plate lightning perforation, thick plate spatter vibration suppression, bright surface cutting and other processes.



Can achieve batch processing of 20-50mm metal thick plates.



Good cutting quality, high precision, stable quality.

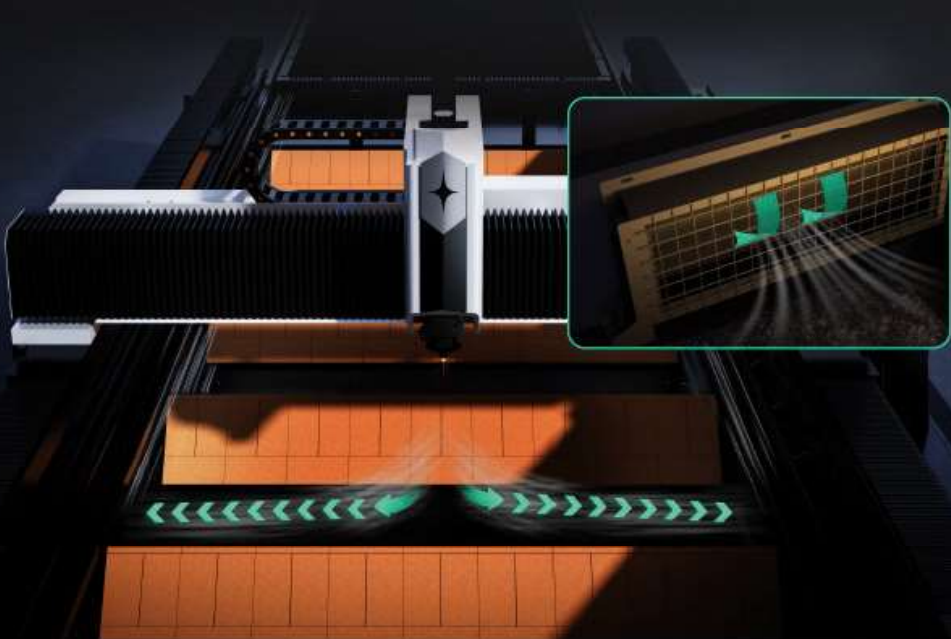


CORE FUNCTIONS

INTELLIGENT CLEANING MODE



Modular intelligent zoning dust removal, flip-type air door design, efficient smoke and dust removal, ensuring clean cutting area environment.



Intelligent zoning, focusing on dust removal in cutting areas, with significant dust removal effects.

Single control for air door, large-diameter dedicated air duct, better smoke and heat removal effects





TR SERIES

Super Heavy-duty Tube Fiber Laser Cutting Machine

- Wide Cutting Application Range, Adaptable To Various Cutting Conditions
- Brand New Double-beam Bed Structure
- Intelligent Feeding System

● Sample



● Technical Parameter

Model	TR12035+R6	TR12069+R6
Laser power		3-12kW
Max. processing tube length		12500mm
Positioning accuracy		0.1mm
Repeated positioning accuracy		0.1mm
Max. running speed	80m/min	60m/min

QC SYSTEM



01 FLATNESS
Processed on a large CNC milling machine for flatness.



02 HEAT TREATMENT
Heat treatment process to ensure machine stability and prevent deformation.



07 PRECISION INSPECTION
Precision testing.



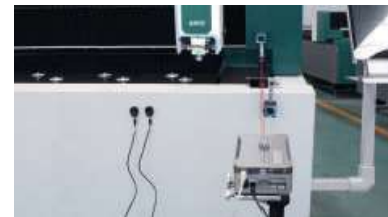
08 HARDNESS INSPECTION
Hardness testing.



03 PARALLELISM INSPECTION
Assembly and adjustment of rack parallelism accuracy.



04 VERTICALITY INSPECTION
Checking the perpendicularity of the marble inspection bed.



09 DETAIL INSPECTION
Multiple inspections for each detail.



10 MASS PRODUCTION
Skilled techniques and advanced manufacturing processes for mass production.



05 STRAIGHTNESS INSPECTION
Laser collimator inspection of guide rails.



06 PRECISION INSPECTION
Laser interferometer to ensure the overall machine precision.



11 AGING TEST
72-hour non-stop aging test.



12 CUTTING TEST
12-hour laser cutting test.

FULL INDUSTRY CHAIN MODEL



LASER CUTTING

Accurate cutting, minimal error, no dimensional errors caused by cutting.



SANDBLASTING AND SPRAYING

Using the impact of high-speed sand flow to clean and roughen the surface of the bed, followed by spraying to create a smooth and bright permanent coating, achieving decorative and anti-corrosive purposes.



BEVEL WELDING

Equal strength through bevel welding and seamless welding, ensuring the bed achieves equivalent strength.



ROUGH MACHINING

Removing most of the machining allowance from the workpiece to bring its shape and size close to the finished product requirements, then allowing for natural aging for one month to ensure minimal deformation of the guide rail mounting surface, not exceeding 0.02mm/M.



STRESS RELIEF ANNEALING

Step-by-step heating to 580 degrees for annealing, followed by 1-2 days of aging treatment to release internal stress and eliminate it.



PRECISION MACHINING

Removing very little machining allowance from the surface of the finely machined workpiece to achieve high machining accuracy and very low surface roughness values.



AFTER-SALES SERVICE



EVERYONE FROM AORE HAS AN DREAM



LIGHT UP THE WORLD WITH GREEN



AND KEEP WORKING ON IT

PRE-SALES SERVICE

In order to help customers better understand the laser cutting equipment related product details, functional advantages, market conditions, AORE laser to provide customers with a full range of laser cutting equipment consulting services, and according to the needs of users, provide free proofing, trial machine services, welcome to the factory to visit the equipment.

MID-SALES SERVICE

AORE Laser intimate to the customer's point of view, according to the actual production situation of customers, customized professional laser processing solutions and detailed technical guidance for customers; The laser cutting equipment of different formats and different power can be customized according to the needs of customers to meet the different production needs of customers.

AFTER-SALES SERVICE

Professional after-sales engineers will provide customers with free installation and commissioning services according to customers' actual site conditions, to ensure the highest performance of the equipment, and provide customers with a complete set of equipment materials and professional training guidance, to solve various problems in the operation and use of the equipment.